

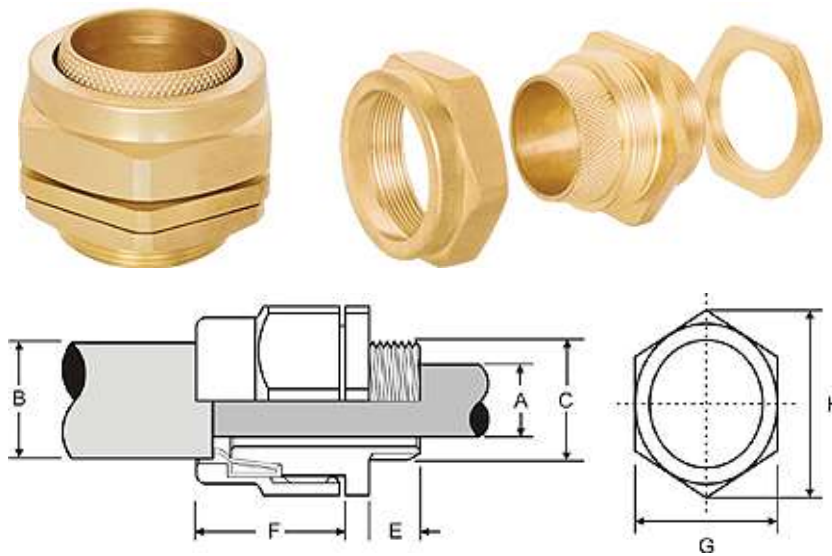
BW CABLE GLAND (2 PART)

Application : BW Brass Gland generally used with armour or braided cable. Further, this secure armoring & provides electrical continuity between armour & gland entry component that are used for dry and indoor condition.

Design features : BS6121: part 1 :1989, 2 part armour lock, Knurled armour lock produces a low resistance earth clip.

Material :Brass

Finish :Natural brass or Nickel plated



Product Code	Size	Cable Dimension			Gland Dimensions				
		Armour wire Diameter	Under Armour Dia A Max mm	Over all Dia B Max. mm	ISO Entry Thread		Length from shoulder F mm	Across Flat Dia G mm	Across cross dia H mm
					C mm	E mm			
CBWK16L	16	8.6	13.5	0.9	16	10	23	20	23
CBWK20S	20 S	12.3	17	0.90/1.25	20	10	23	23	24
CBWK20L	20	14.3	20	0.90/1.25	20	10	30	25	27
CBWK25S	25 S	18	23.8	1.25/1.60	25	10	30	31	32.5
CBWK25L	25	20.4	27	1.25/1.60	25	10	32	30	38.5
CBWK32L	32	26.5	33	1.60/2.00	32	10	36	41.5	45.5
CBWK40S	40 S	31	37	1.60/2.00	40	10	36	45	50
CBWK40L	40	32.5	43	1.60/2.00	40	15	40	49	54
CBWK50S	50S	37.8	48	2.00/2.50	50	15	40	58	65
CBWK50L	50	44	53	2.00/2.50	50	15	45	62.3	69.5
CBWK63S	63S	50.5	60.5	2.5	63	15	45	70	77
CBWK63L	63	56.5	65.5	2.5	63	15	50	76.3	85
CBWK75S	75S	62.5	72	2.5	75	15	50	85	95
CBWK75L	75	67.5	78.5	2.50/3.15	75	15	75	90.5	99
CBWK90S	90	80	93	3.15	90	20	75	112	125